



STYLE STAIR L



DESCRIPTION

STYLE STAIR L is a profile that allows to connect the raiser to the tread of stairs covered with wooden or laminate floors and that works as an expansion joint. The profile is composed by a BASE in aluminum, a rigid impact-resistant vinyl resin insert (PIN) and by a TOP in aluminum. Its particular design and the availability of several finishes, make it a much sought-after profile that can be used with any wooden and laminate floor.

MATERIAL

STYLE STAIR L is a profile that allows to connect the raiser to the tread of stairs covered with wooden or laminate floors and that works as an expansion joint. The profile is composed by a BASE in natural aluminum, a rigid impact-resistant vinyl resin insert (PIN) and by a TOP in aluminum. The BASE, with a width of 40 mm, is punched to ensure its fixing with adhesive or screws. The PIN, that connect the BASE to the TOP, is available in the height of 7, 9, 11, 13, 15, 17 and 19 mm. It is realized in rigid impact-resistant vinyl resin to prevent the movement of electric charges from the screed to the floor. The TOP in aluminum, with a horizontal surface of 45 mm and a vertical one of 23,8 mm, is covered with a vinyl resin film with wood - effect; the vinyl resin film is very resistant to abrasion (AC1 class), UV rays and to commonly used cleaning products. Its particular design and the availability of several finishes make **STYLE STAIR L** a much sought-after profile that can be used with any wooden and laminate floor.

AREAS OF USE

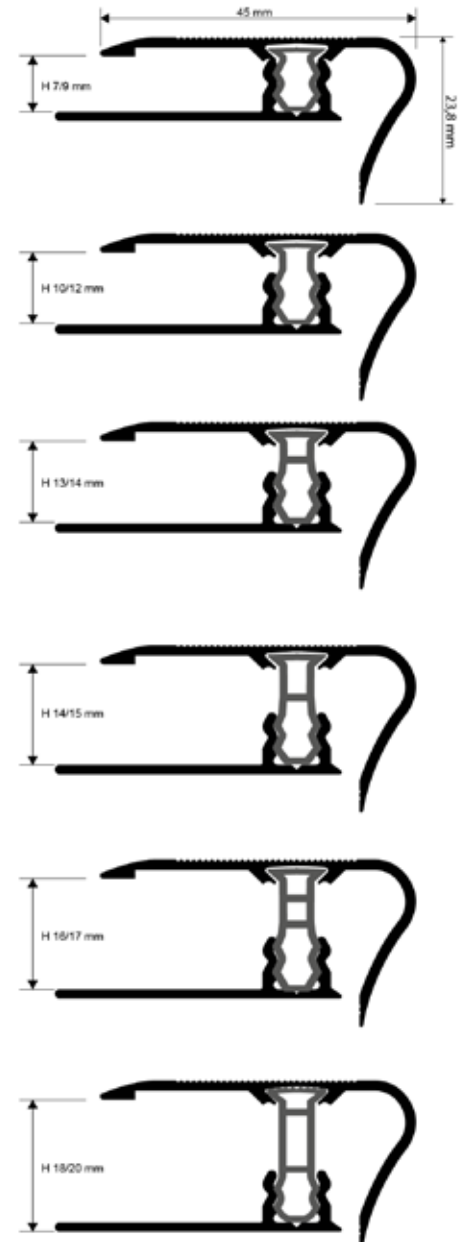
STYLE STAIR L in aluminum covered with vinyl resin film with wood effect are suitable for indoors environment where good resistance to mechanical and chemical stresses are required.

WARNINGS

Do not use **STYLE STAIR L** in aluminum covered with a vinyl resin film with wood-effect in the swimming pool, outdoor and in environment where there is a high mechanical abrasion.

MAINTENANCE

STYLE STAIR L does not require any special maintenance; it is suggested to clean it with normal household cleaning products





STYLE STAIR L



LAYING INSTRUCTIONS

1. Choose "STYLE STAIR" in the desired finish and according to the thickness of the floor
2. Cut the aluminum BASE at the desired length and fix it with adhesive or screws (1).
3. Lay the wooden floor or laminate making sure to leave a 5 mm. joint between the BASE and the floor (2).
4. Cut the aluminum TOP and the PIN insert at the desired length.
5. Slot the PIN insert in the TOP and place the profile over the "U" shaped channel of the BASE.
6. Using a wooden block and a hammer, apply pressure evenly over the whole length of the profile (3).

TEXT TEMPLATE FOR TENDERS

Supply and installation of profile that allows to connect the raiser to the tread of stairs covered with wooden or laminate floors and that works as an expansion joint. The profile is composed by a BASE in natural aluminum, with a width of 40 mm, a rigid impact-resistant vinyl resin insert (PIN) with a height of 7 / 9 / 11 / 13 / 15 / 17 / 19 mm and by a TOP, with a horizontal surface of 45 mm and a vertical one of 23,8 mm, covered with a vinyl resin film with wood - effect, like STYLE STAIR L of the Progress Profiles company.

PINYLC... 07 / 09 / 11 / 13 / 15 / 17:
TOP in aluminum with wood effect + PIN insert + BASE in aluminum.

Profile height: _____ mm
 Profile length: _____ mt
 Material: _____ €/mt
 Application: _____ €/mt
 Total value: _____ €/mt